



## Features

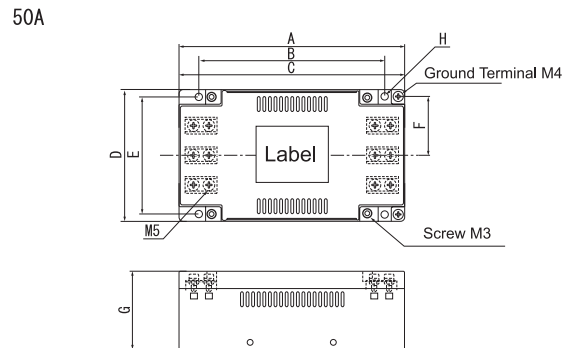
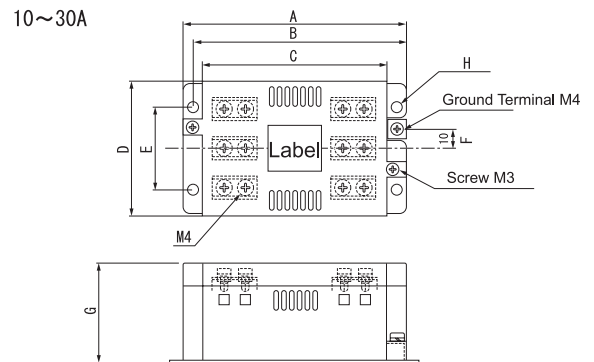
- Three phase filter delta.
- The super high  $\mu$  core allows high attenuation.
- Light and compact size.
- Applies to EN55011 class A type.



Safety Agency : Standard	File No.
UL : UL-1283	E78644
C-UL : C22.2, NO.8-M1986	E78644
SEMKO : EN133200	SE/0142-7

The "ENCE" mark is a common European product certification mark based on testing to harmonised European safety standard.

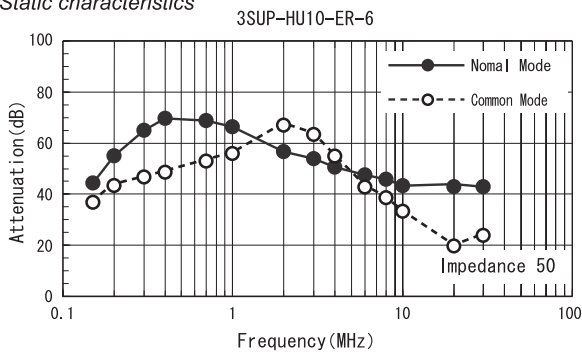
## Dimensions



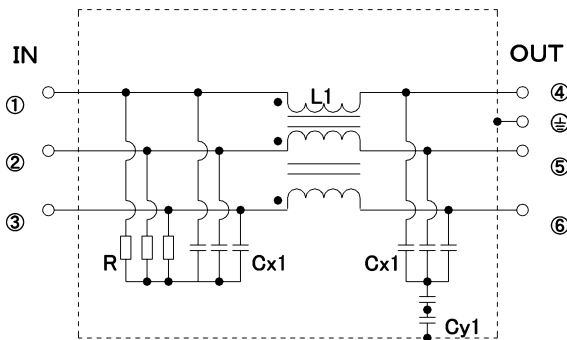
Unit: mm

	A	B	C	D	E	F	G	H	K	L
3SUP-HU10-ER-6	115	105	95	70	43	10	52	5.5	M4	M4
3SUP-HU20-ER-6	145	135	125	70	50	10	52	5.5	M4	M4
3SUP-HU30-ER-6	145	135	125	70	50	10	52	5.5	M4	M4
3SUP-HU50-ER-6	165	136	165	90	80	40	54	5.5	M5	M4

## Static characteristics



## Circuit



## Electrical Specifications

Rated Voltage **500VAC**

Model Number	Rated Current (A)	Test Voltage	Insulation Resistance	Leakage Current (max)	Voltage Drop (max)	Temperature Rise (max)	Operating Temperature (°C)	Insertion losses	
								Normal Mode (MHz)	Common Mode (MHz)
3SUP-HU10-ER-6	10	(Line-Ground) 2000Vrms 50/60Hz 60sec	(Line-Ground) 6000M $\Omega$ min (at 500Vdc)	3.5mA (at 500Vrms 60Hz)	1.0Vrms	35K	-25~+50	0.2~30	0.4~10
3SUP-HU20-ER-6	20								
3SUP-HU30-ER-6	30								
3SUP-HU50-ER-6	50								

Guaranteed attenuation is more than 35dB in normal mode and more than 30dB in common mode.